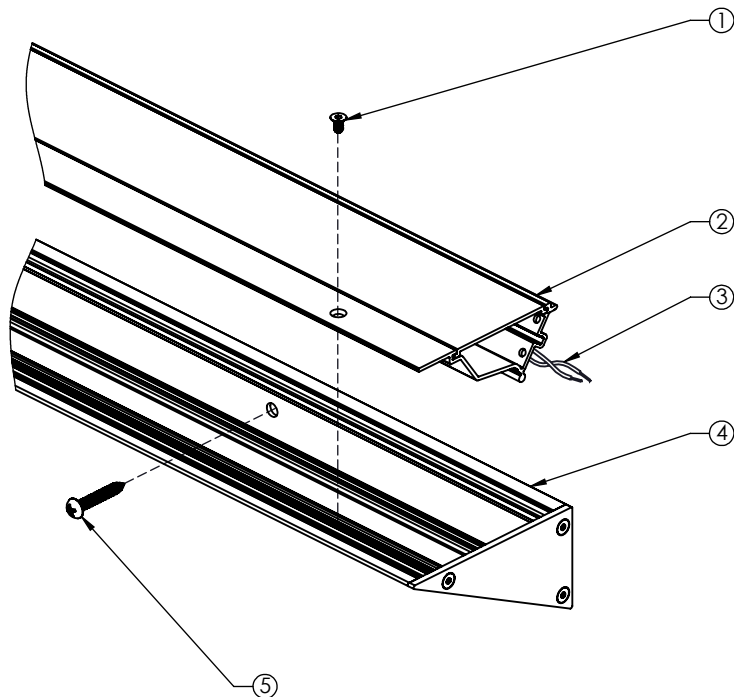
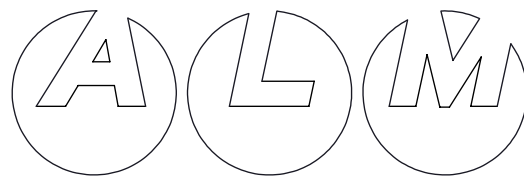


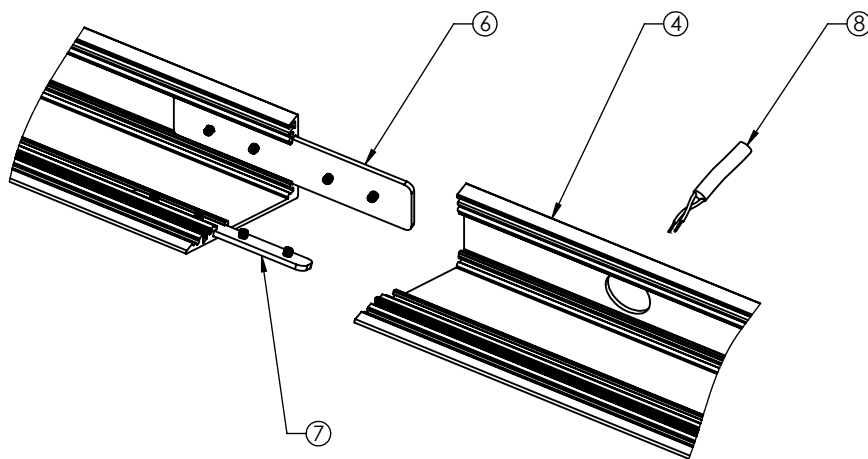
# Wedge Indoor

WALL

## INSTALLATION INSTRUCTIONS



1	Light body assembly mounting screw
2	Light body assembly
3	Fixture power wires
4	Fixture housing
5	Mounting hardware (provided)
6	Connection plate - back
7	Connection plate - front
8	Power feed (by others)



### INSTRUCTIONS:

1. Unscrew light body assembly mounting screws and remove light body assembly from the fixture housing.
2. Bring the electrical power feed through the hole in fixture housing and secure fixture housing to the wall using hardware provided. Ensure that the fixture housing is in proper horizontal position. For continuous mounting - connect and secure fixture housings next to each other using the connection plates and set screws provided.
3. Bring light body assembly to the location, splice the fixture wires and power feed as required and secure light body assembly to the fixture housing using screws provided. Wires for connection are clearly labeled.
4. Energize.

### GENERAL NOTE:

- \* Turn power off before beginning.
- \* Do not connect to an ungrounded supply.
- \* Consult a qualified electrician to ensure correct branch circuit conductor.
- \* This product must be installed in accordance with the applicable installation code by a person familiar with the construction and operation of the product and the hazards involved.
- \* Save these instructions.